



SHENZHEN CARLEADER ELECTRONIC CO.,LTD

ADD:3/F Bldg A5. Tian Long Industrial area.Huang Ma Bu.XiXiang. BaoAn District.Shenzhen

Tel: 86 755 27786715 FAX:86 755 27452164

Mobile: 86 13537679800

Email: info@szcarleader.com

SKYPE: greensxiao

QQ: 153482246

www.szcarleader.com

PRODUCT BROCHURE

AHD monitor series ○

AHD quad monitor series ○

Standard monitor series ○

Standard quad monitor series ○

HD monitor series ○

Heavy duty camera series ○

Brake light camera series ○

Wireless kit system ○



Quad AHD monitor



CL-S760AHD-Q



CL-S762AHD-Q



CL-S756AHD-Q



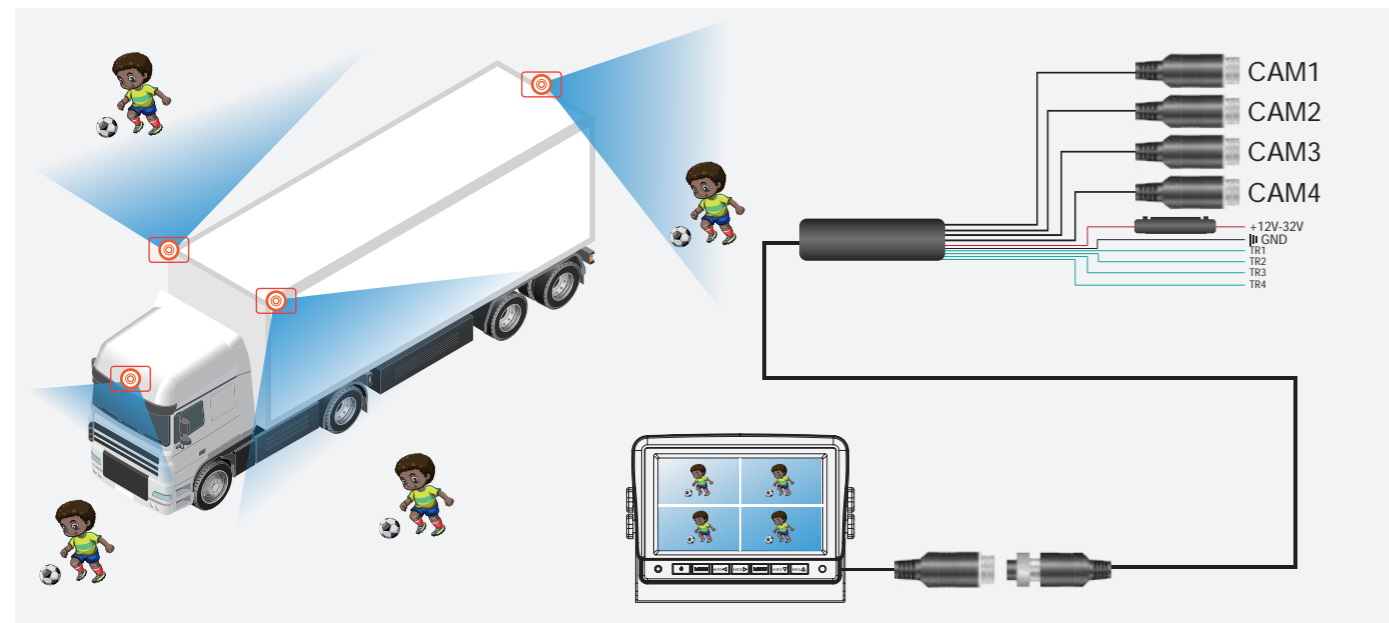
CL-S752AHD-Q



CL-S960AHD-Q



CL-S1019AHD-Q



Model No.	CL-S760AHD-Q	CL-S762AHD-Q	CL-S756AHD-Q	CL-S752AHD-Q	CL-S960AHD-Q	CL-S1019AHD-Q
Screen size	7"	7"	7"	7"	9"	10.1"
Resolution	1024*RGB*600	1024*RGB*600	1024*RGB*600	1024*RGB*600	1024*RGB*600	1024*RGB*600
Input interface	4AHD(4pin)	4AHD(4pin)	4AHD(4pin)	4AHD(4pin)	4AHD(4pin)	4AHD(4pin)
AHD camera	Max 1080P	Max 1080P	Max 1080P	Max 1080P	Max 1080P	Max 1080P
Trigger wire	4	4	4	4	4	4
Trigger priority	AHD2	AHD2	AHD2	AHD2	AHD2	AHD2
Touch button	no	yes	no	yes	no	no
Button with lamp	no	yes	yes	yes	no	no
PAL/NTSC system	yes	yes	yes	yes	yes	yes
Compatible camera	AHD/CMOS/CCD	AHD/CMOS/CCD	AHD/CMOS/CCD	AHD/CMOS/CCD	AHD/CMOS/CCD	AHD/CMOS/CCD
Screen ratio	16:9	16:9	16:9	16:9	16:9	16:9
Power Volt.	DC 9V-32V	DC 9V-32V	DC 9V-32V	DC 9V-32V	DC 9V-32V	DC 9V-32V

AHD DVR monitor system (SD version)



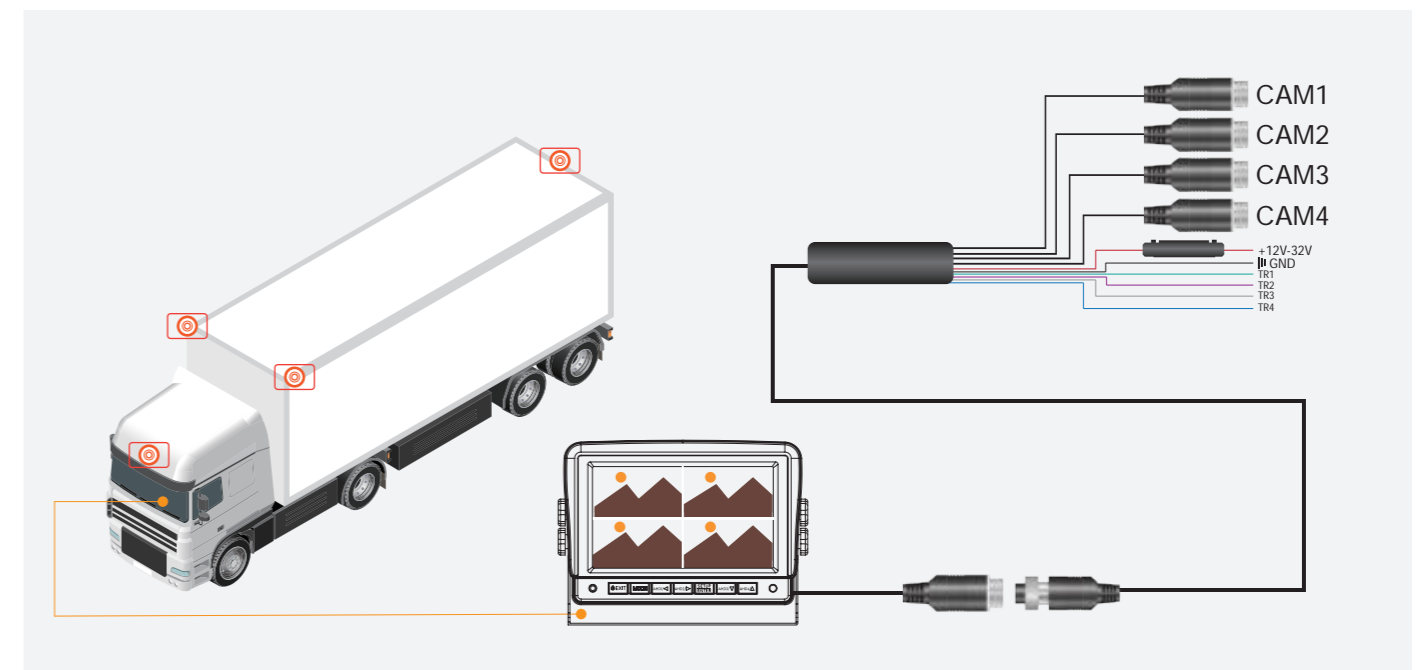
CL-S760AHDQ-SDDVR



CL-S960AHDQ-SDDVR



CL-S1019AHDQ-SDDVR



Model No.	CL-S760AHDQ-SDDVR	CL-S960AHDQ-SDDVR	CL-S1019AHDQ-SDDVR
Screen size	7"	9"	10.1"
Resolution	1024*RGB*600	1024*RGB*600	1024*RGB*600
Input interface	4XAHD/4XCVB/2XAHD+2XCVB	4XAHD/4XCVB/2XAHD+2XCVB	4XAHD/4XCVB/2XAHD+2XCVB
SD storage	256G	256G	256G
AHD camera	Max 960P	Max 960P	Max 960P
Trigger wire	4	4	4
Trigger priority	AHD2	AHD2	AHD2
Video format	AVI	AVI	AVI
video resolution	720P	720P	720P
Touch button	no	no	no
Button with lamp	no	no	no
PAL/NTSC system	yes	yes	yes
Compatible camera	AHD/CMOS/CCD	AHD/CMOS/CCD	AHD/CMOS/CCD
Screen ratio	16:9	16:9	16:9
Power Volt.	DC 9V-32V	DC 9V-32V	DC 9V-32V

Quad monitor series



CL-S756TMQ



CL-S752TMQ



CL-S751TMQ



CL-S760TMQ



CL-S762TMQ



CL-S960TMQ



CL-S1019TMQ

Waterproof monitor series



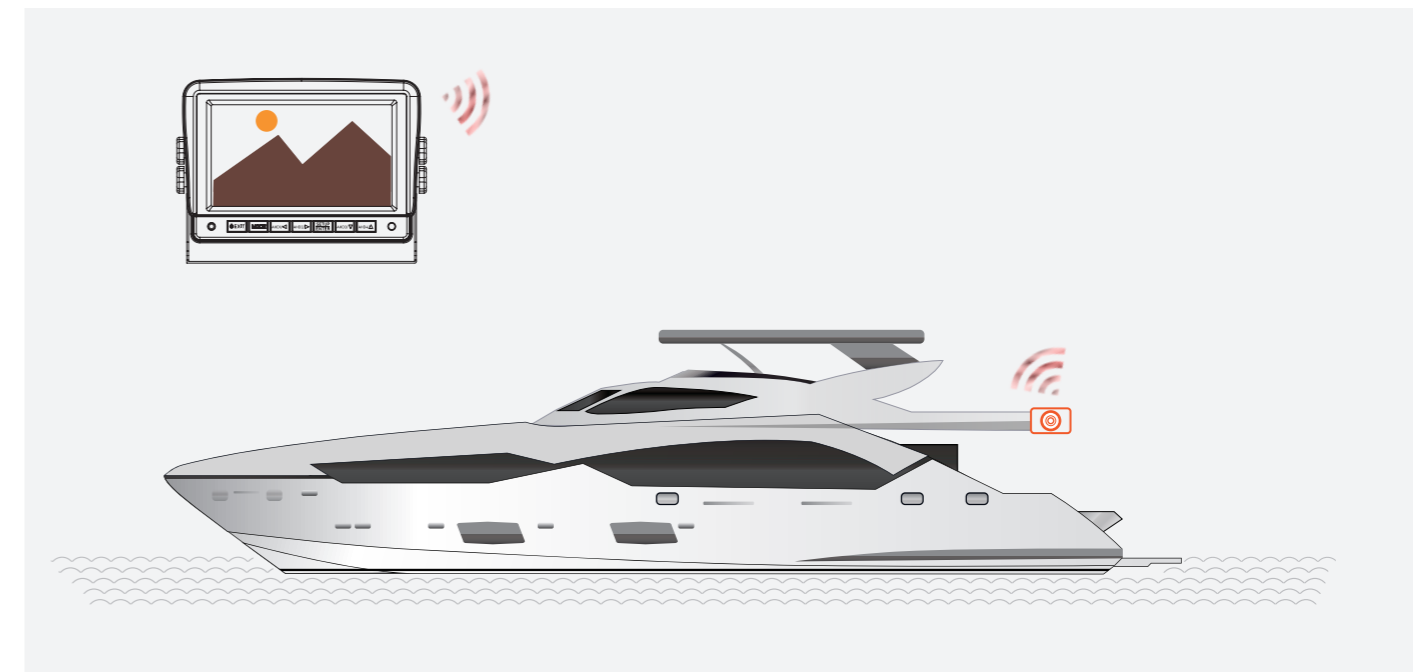
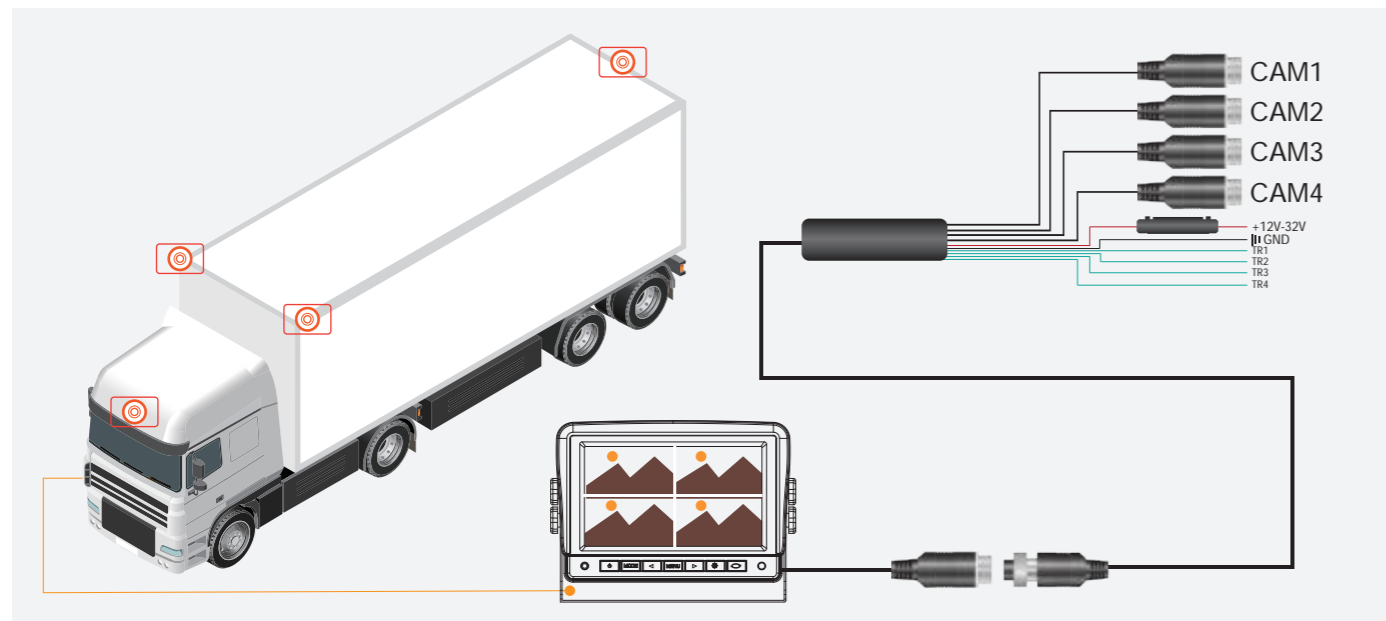
CL-S770TM



CL-S770TMQ



CL-S770TM-W



Model No.	CL-S756TMQ	CL-S752TMQ	CL-S751TMQ	CL-S760TMQ	CL-S762TMQ	CL-S960TMQ	CL-S1019TMQ
Screen size	7"	7"	7"	7"	7"	9"	10.1"
Resolution	800*RGB*480	800*RGB*480	800*RGB*480	800*RGB*480	800*RGB*480	800*RGB*480	1024*RGB*600
Input interface	4AV(4pin)	4AV(4pin)	4AV(4pin0)	4AV(4pin)	4AV(4pin)	4AV(4pin)	4AV(4pin)
Trigger wire	4	4	4	4	4	4	4
Mode switch	yes	yes	yes	yes	yes	yes	yes
PAL/NTSC switch	Auto	Auto	Auto	Auto	Auto	Auto	Auto
Touch screen function	optional	optional	optional	optional	optional	no	no
Touch button	no	yes	no	no	yes	no	no
Power Volt.	DC9V-32V	DC 9V-32V	DC 9V-32V	DC 9V-32V	DC 9V-32V	DC 9V-32V	DC 9V-32V

Model No.	CL-S770TM	CL-S770TMQ	CL-S770TM-W
Screen size	7"	7"	7"
Resolution	1024*RGB*600	1024*RGB*600	1024*RGB*600
Input interface	3AV(4pin)	4AV(4pin)	1AV/2AV/3AV/4AV Wireless option
Waterproof grade	IP69K	IP69K	IP69K
Anti-rust metal housing	yes	yes	yes
Trigger wire	2	4	no
Touch button	yes	yes	yes
Button with lamp	yes	yes	yes
Screen ratio	16:9	16:9	16:9
Power Volt.	DC 9V-32V	DC 9V-32V	DC 9V-32V

Standard monitor series



CL-S500TM



CL-S561TM



CL-S751TM



CL-S756TM



CL-S752TM



CL-S760TM



CL-S960TM



CL-S756HD



CL-S752HD



CL-S760HD



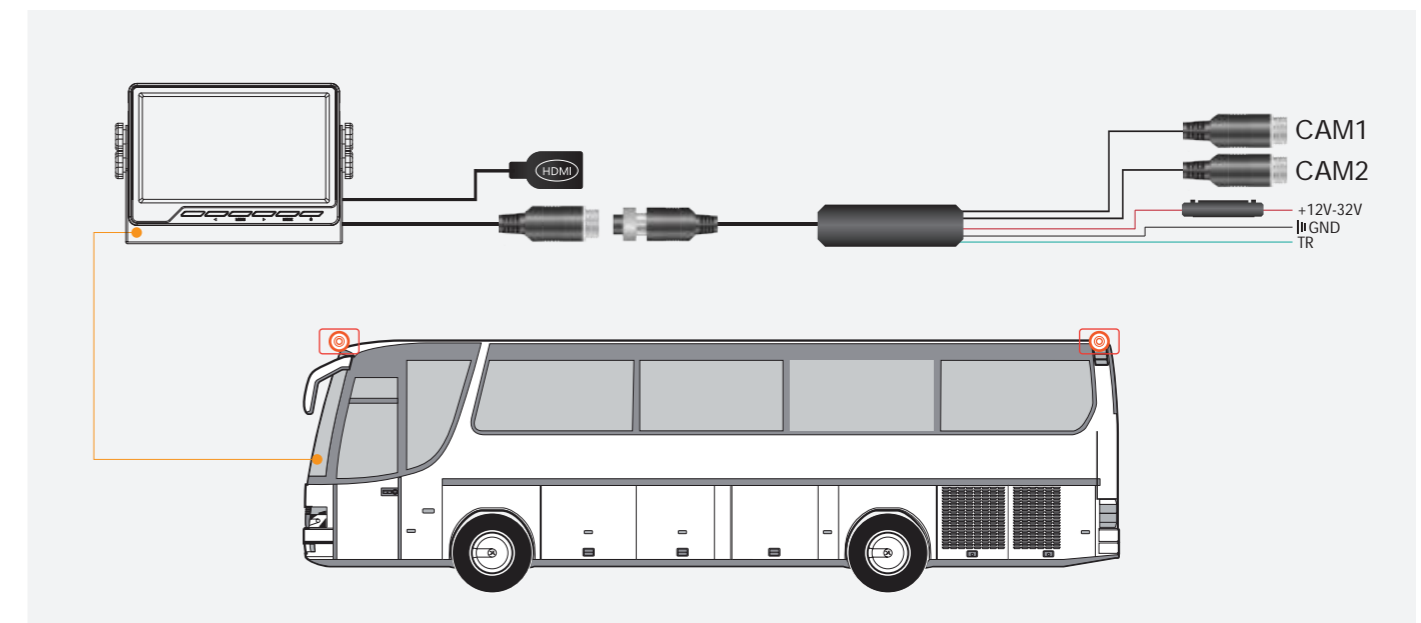
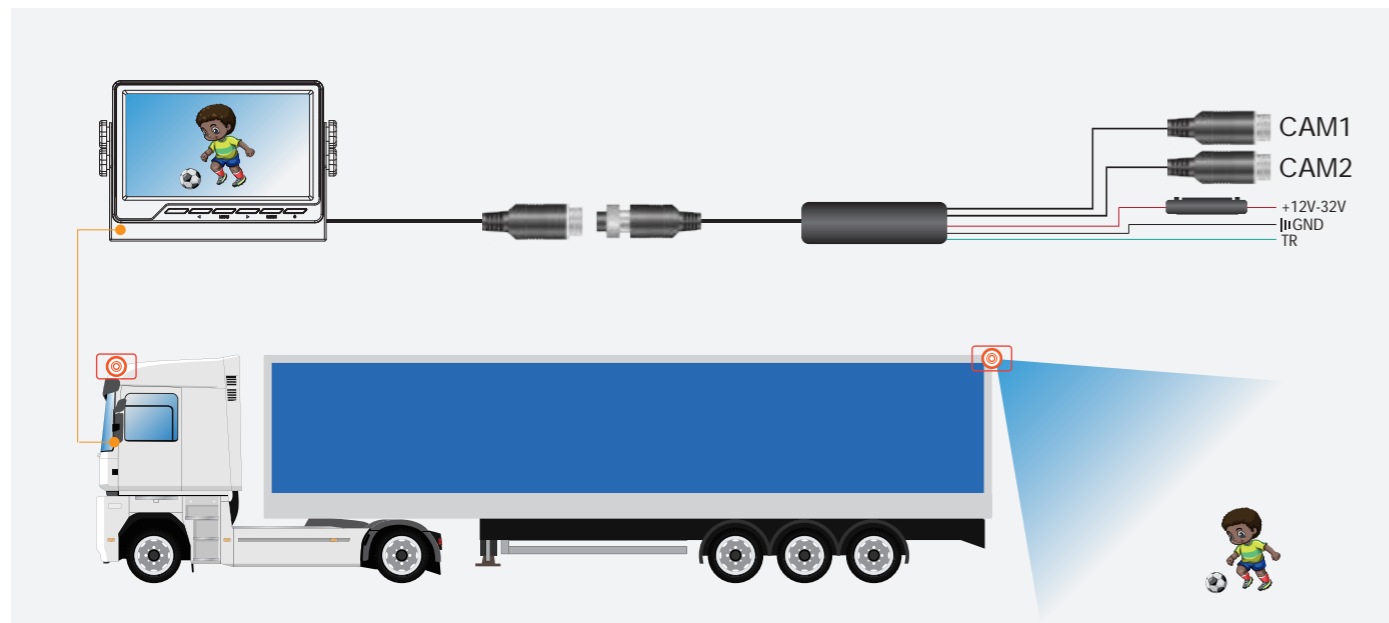
CL-S762HD



CL-S960HD



CL-S1019HD



Model No.	CL-S500TM	CL-S561TM	CL-S751TM	CL-S756TM	CL-S752TM	CL-S760TM	CL-S960TM
Screen size	5"	5.6"	7"	7"	7"	7"	9"
Resolution	800*RGB*480	640*RGB*480	800*RGB*480	800*RGB*480	800*RGB*480	1024*RGB*600	1024*RGB*600
Input interface	2AV(4pin)	2AV(4pin)	2AV(4pin)	2AV(4pin)	2AV(4pin)	2AV(4pin)	2AV(4pin)
Trigger wire	1	1	1	1	1	1	1
Button with lamp	no	no	no	yes	yes	no	no
Screen ratio	16:9	4:3	16:9	16:9	16:9	16:9	16:9
Power Volt.	DC9V-32V	DC 9V-32V	DC 9V-32V	DC 9V-32V	DC 9V-32V	DC 9V-32V	DC 9V-32V

Model No.	CL-S756HD	CL-S752HD	CL-S760HD	CL-S762HD	CL-S960HD	CL-S1019HD
Screen size	7"	7"	7"	7"	9"	10.1"
Resolution	1024*RGB*600	1024*RGB*600	1024*RGB*600	1024*RGB*600	1024*RGB*600	1024*RGB*600
Input interface	2xRCA 1xHDMI	2xRCA 1xHDMI	2xRCA 1xHDMI	2xRCA 1xHDMI	2xRCA 1xHDMI	2xRCA 1xHDMI
VGA input	optional	optional	optional	optional	optional	optional
Resolution 1024x600	optional	optional	optional	optional	optional	N/A
Trigger wire	1	1	1	1	1	1
PAL/NTSC switch	Auto	Auto	Auto	Auto	Auto	Auto
Speaker	yes	yes	yes	yes	yes	yes
Touch button	no	yes	no	yes	no	no
Power Volt.	DC9V-32V	DC 9V-32V	DC 9V-32V	DC 9V-32V	DC 9V-32V	DC 9V-32V

AHD/CCD/CMOS camera series



CL-9818



CL-911



CL-816



CL-817



CL-800



CL-802



CL-803



CL-804



CL-805



CL-806



CL-807



CL-808



CL-809



CL-900



CL-901



CL-902



CL-905



CL-906



CL-908



CL-909

Brake light camera



CL-SL804



CL-SL804B



CL-SL804BS



CL-SL805



CL-SL806



CL-SL808



CL-SL809



CL-SL810



CL-SL812

Renault



CL-SL813



CL-SL815



CL-SL817



CL-SL819



CL-SL822



CL-SL824



CL-SL825



CL-SL827



CL-SL828

Brake light camera



CL-SL832



CL-SL832S



CL-SL833



CL-SL834



CL-SL835



CL-SL836



CL-SL837



CL-SL838S

Accessories



VESA bracket series

